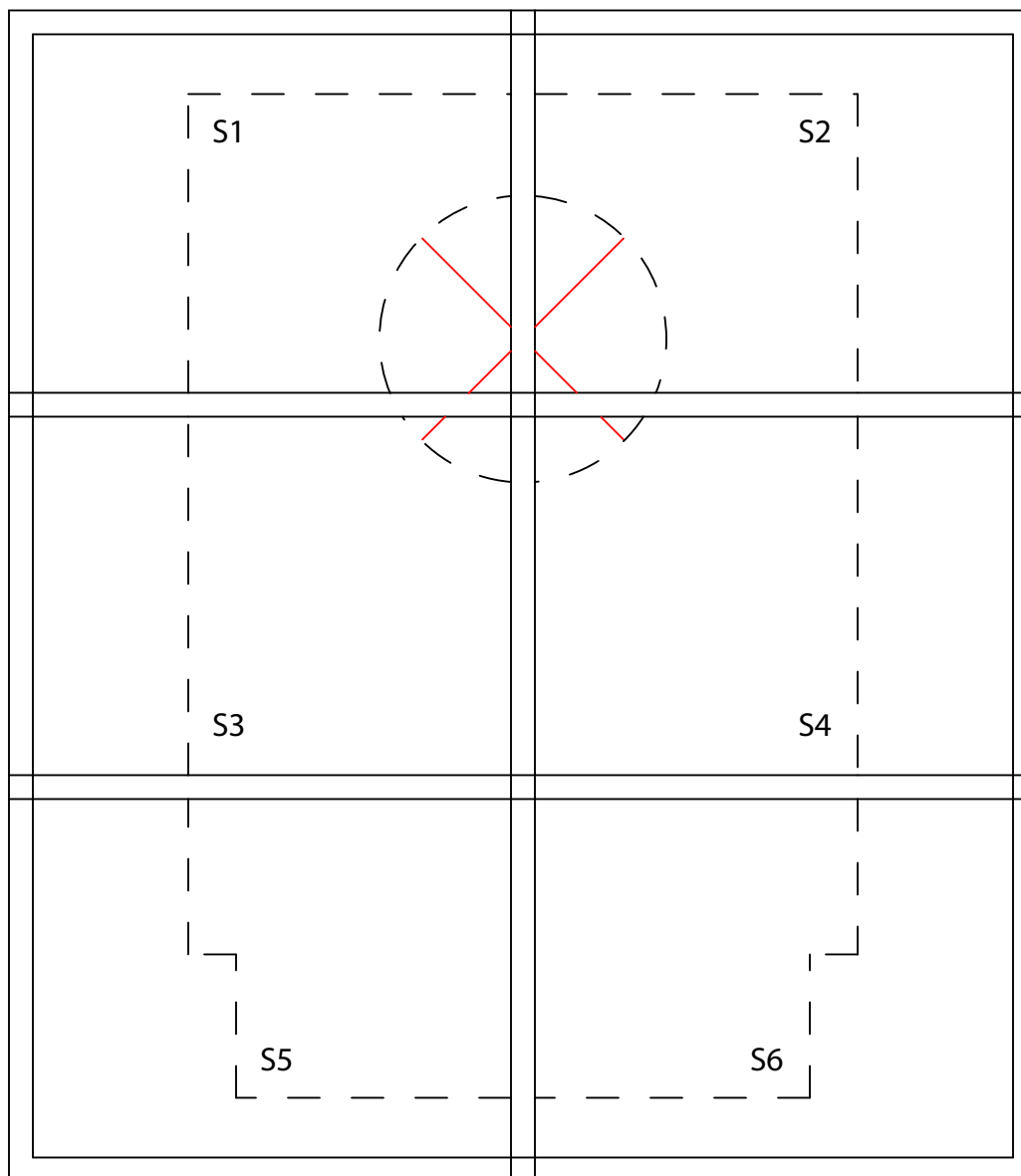


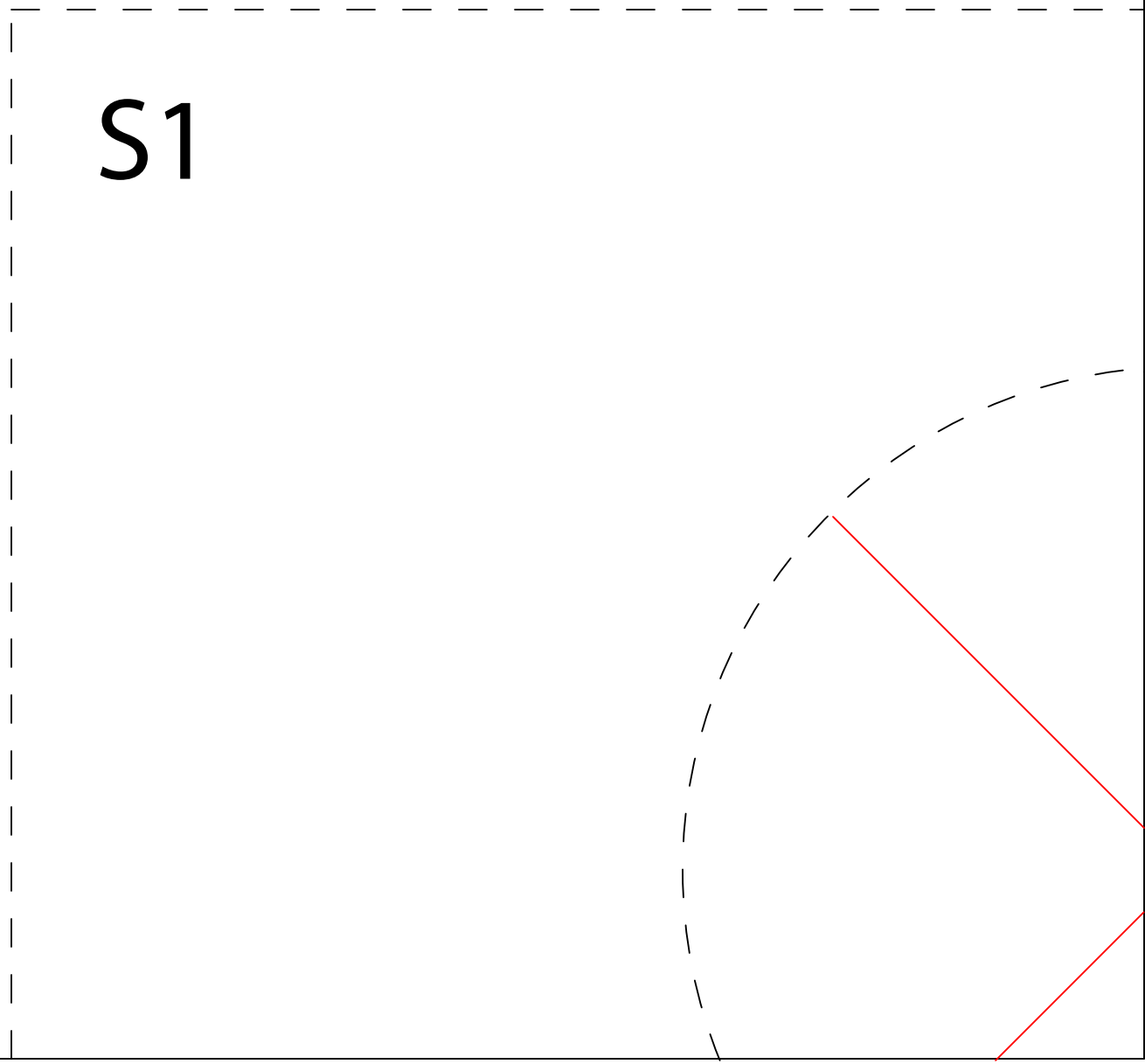
## 14" X 18" INSTRUCTIONS

1. OVERLAP SHEETS, ALIGN PAPER EDGES TO SOLID LINES, AND ADHERE
2. CONNECT RED X WITH PEN TO ALIGN PLUMB BOB
3. CUT ALONG DASHED LINES

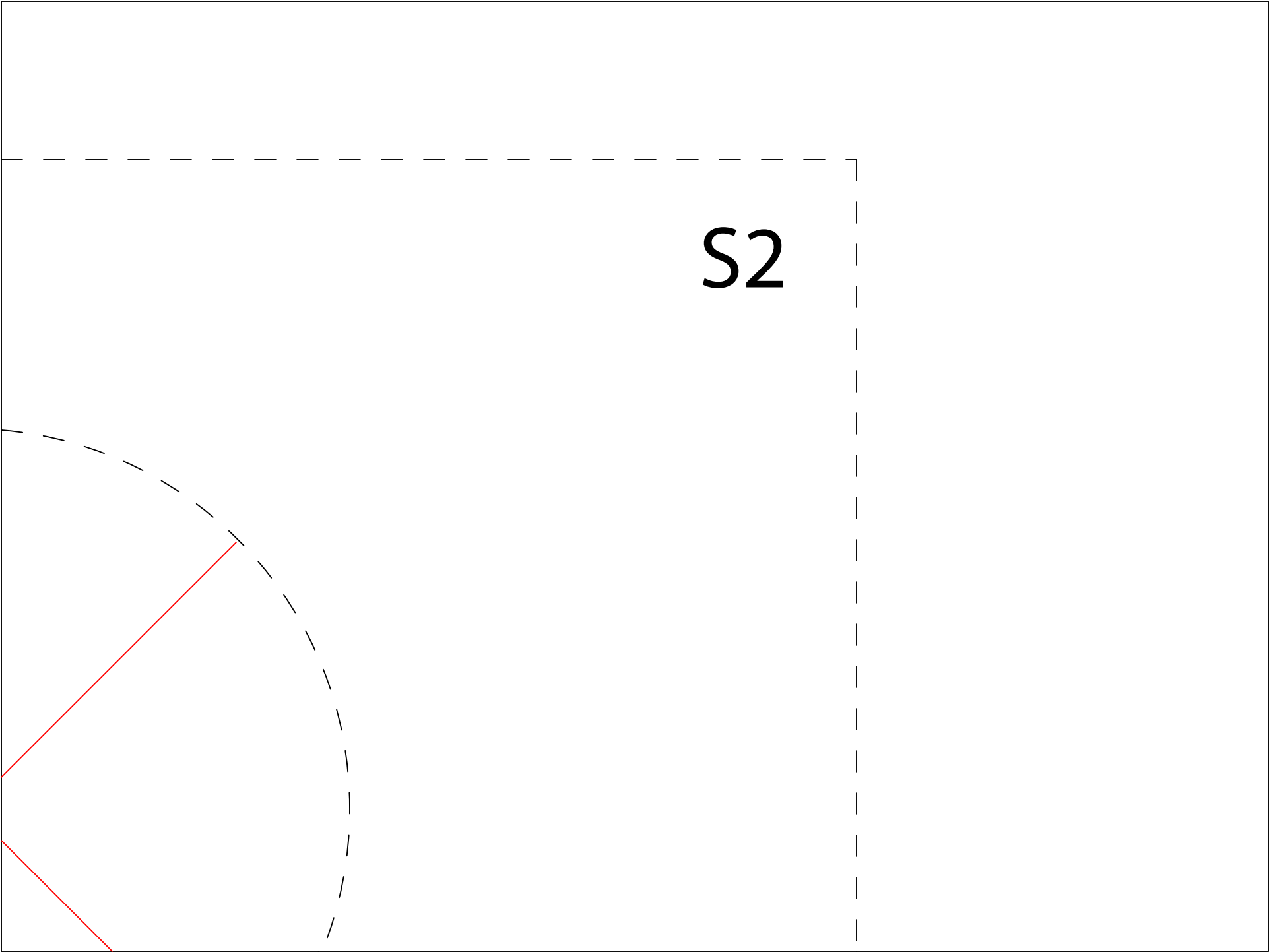


NOT TO SCALE

S1



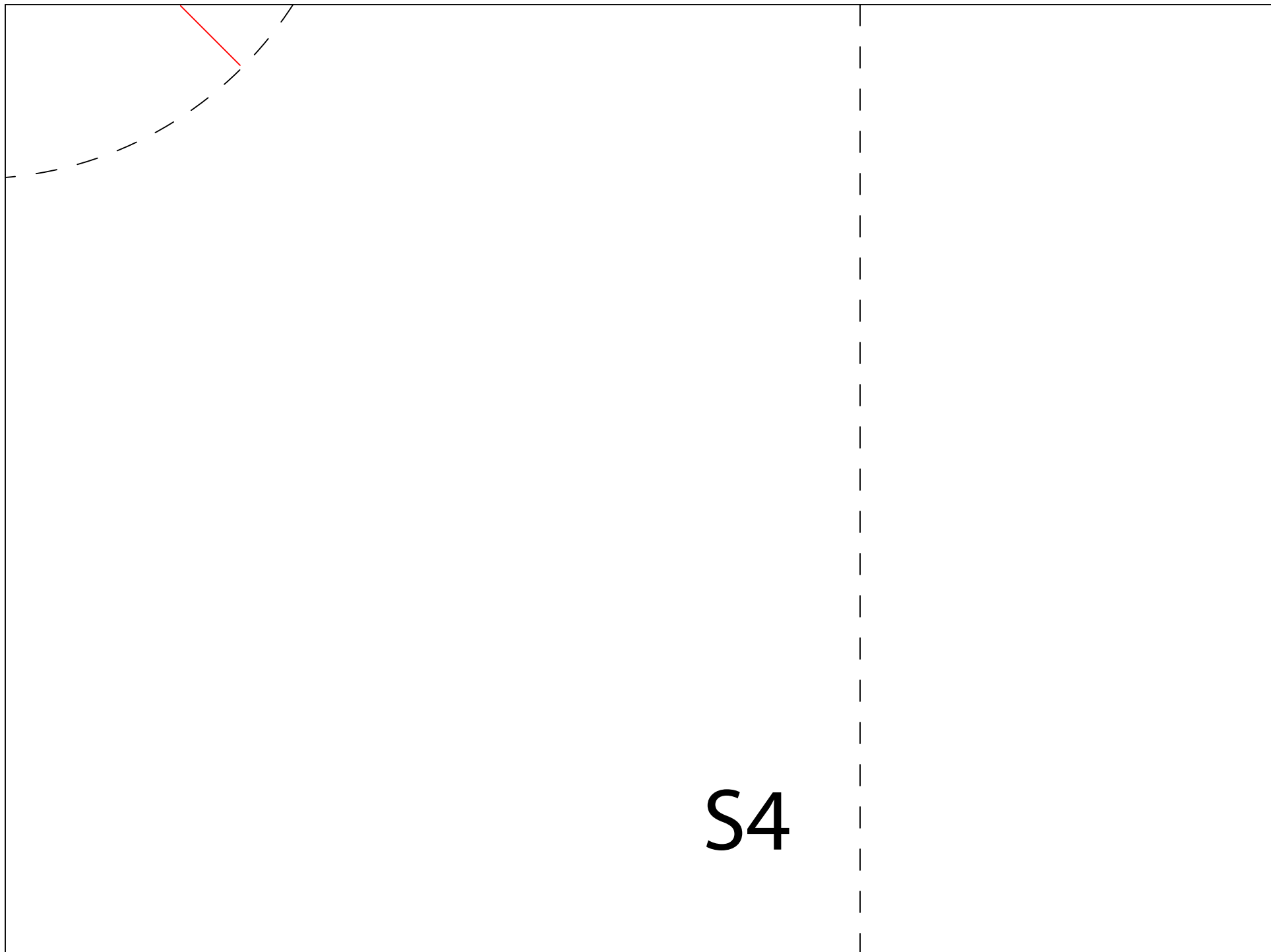
S2





A diagram within a rectangular frame. A vertical dashed line runs from the top to the bottom of the frame, positioned approximately one-fifth of the way from the left edge. In the upper right corner, a dashed arc curves from the top edge towards the right edge. A solid red line segment is drawn from the top edge to the dashed arc.

S3



S4



The diagram consists of a solid black rectangular border. Inside this border, there is a dashed L-shaped line. The vertical part of the dashed line is on the left, and the horizontal part is at the bottom. The two lines meet at a right angle. The text 'S5' is positioned in the interior of this L-shaped corner.

**S5**

S6